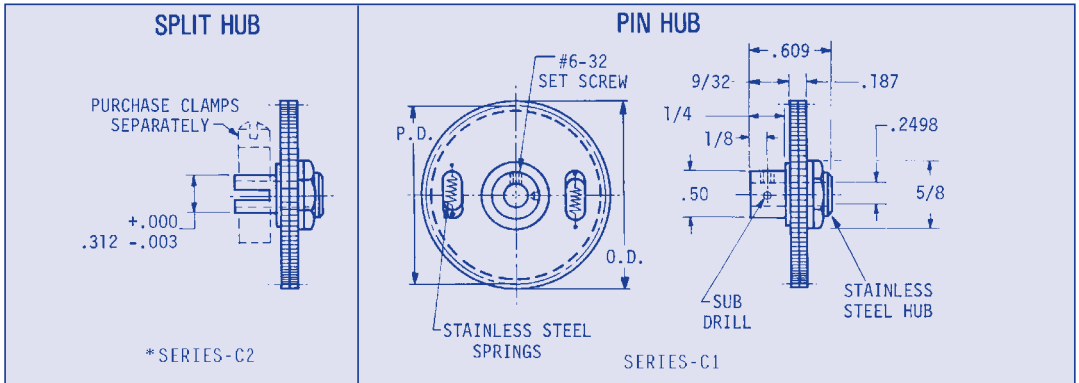


ANTI-BACKLASH GEARS

20° PRESSURE ANGLE QUALITY NO. 10

**24 PITCH
3/16 FACE
1/4 BORE**



When ordering Q12 please supply the catalog number and add Q12. **ORDER BY CATALOG NUMBER**

Gear Class	Total Composite Tolerance	Tooth to Tooth Composite Tolerance	Bore	Pitch Dia.	Outside Dia.
Q10	.001	.0004	+.0005	-.001	-.002
Q12	.0005	.0003	+.0003	-.0007	-.0015

# 303 STAINLESS STEEL	2024-T4 ALUMINUM ANODIZED BEFORE CUTTING**	GEAR DATA		
Pin Hub Cat. No.*	Pin Hub Cat. No.*	No. of Teeth	Pitch Diameter	Outside Diameter
LES-C1-30	LEA-C1-30	30	1.2500	1.333
LES-C1-32	LEA-C1-32	32	1.3333	1.412
LES-C1-35	LEA-C1-35	35	1.4583	1.542
LES-C1-36	LEA-C1-36	36	1.5000	1.583
LES-C1-38	LEA-C1-38	38	1.5833	1.667
LES-C1-40	LEA-C1-40	40	1.6667	1.750
LES-C1-42	LEA-C1-42	42	1.7500	1.833
LES-C1-44	LEA-C1-44	44	1.8333	1.917
LES-C1-45	LEA-C1-45	45	1.8750	1.959
LES-C1-46	LEA-C1-46	46	1.9167	2.000
LES-C1-48	LEA-C1-48	48	2.0000	2.083
LES-C1-50	LEA-C1-50	50	2.0833	2.167
LES-C1-52	LEA-C1-52	52	2.1667	2.250
LES-C1-54	LEA-C1-54	54	2.2500	2.333
LES-C1-55	LEA-C1-55	55	2.2917	2.375
LES-C1-56	LEA-C1-56	56	2.3333	2.417
LES-C1-58	LEA-C1-58	58	2.4167	2.500
LES-C1-60	LEA-C1-60	60	2.5000	2.583
LES-C1-62	LEA-C1-62	62	2.5833	2.667
LES-C1-65	LEA-C1-65	65	2.7083	2.792
LES-C1-66	LEA-C1-66	66	2.7500	2.833
LES-C1-72	LEA-C1-72	72	3.0000	3.083

*To order split hub please use - C2 in place of - C1 in catalog number.

**Anodizing may be grey color or black at Nordex option. Clamps are not supplied and may be purchased separately.