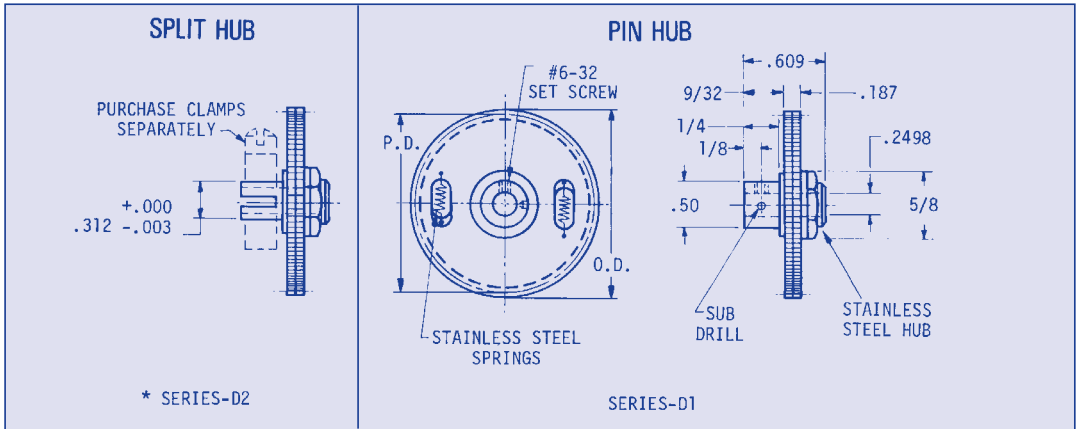


# ANTI-BACKLASH GEARS

20° PRESSURE ANGLE QUALITY NO. 10

**32 PITCH  
3/16 FACE  
1/4 BORE**



When ordering Q12 please supply the catalog number and add Q12. **ORDER BY CATALOG NUMBER**

Gear Class	Total Composite Tolerance	Tooth to Tooth Composite Tolerance	Bore	Pitch Dia.	Outside Dia.
Q10	.001	.0004	+ .0005	-.001	-.002
Q12	.0005	.0003	+ .0003	-.0007	-.0015

# 303 STAINLESS STEEL	2024-T4 ALUMINUM ANODIZED BEFORE CUTTING**	GEAR DATA		
Pin Hub Cat. No.*	Pin Hub Cat. No.*	No. of Teeth	Pitch Diameter	Outside Diameter
LES-D1-40	LEA-D1-40	40	1.2500	1.313
LES-D1-42	LEA-D1-42	42	1.3125	1.375
LES-D1-44	LEA-D1-44	44	1.3750	1.438
LES-D1-45	LEA-D1-45	45	1.4063	1.469
LES-D1-46	LEA-D1-46	46	1.4375	1.500
LES-D1-48	LEA-D1-48	48	1.5000	1.563
LES-D1-50	LEA-D1-50	50	1.5625	1.625
LES-D1-52	LEA-D1-52	52	1.6250	1.688
LES-D1-54	LEA-D1-54	54	1.6875	1.750
LES-D1-55	LEA-D1-55	55	1.7188	1.781
LES-D1-56	LEA-D1-56	56	1.7500	1.813
LES-D1-58	LEA-D1-58	58	1.8125	1.875
LES-D1-60	LEA-D1-60	60	1.8750	1.938
LES-D1-62	LEA-D1-62	62	1.9375	2.000
LES-D1-64	LEA-D1-64	64	2.0000	2.063
LES-D1-65	LEA-D1-65	65	2.0313	2.094
LES-D1-70	LEA-D1-70	70	2.1875	2.250
LES-D1-72	LEA-D1-72	72	2.2500	2.313
LES-D1-75	LEA-D1-75	75	2.3438	2.406
LES-D1-80	LEA-D1-80	80	2.5000	2.563
LES-D1-85	LEA-D1-85	85	2.6563	2.719
LES-D1-96	LEA-D1-96	96	3.0000	3.063

\*\*Anodizing may be grey color or black at Nordex option.

\*To order split hub please use - D2 in place of - D1 in catalog number.

Clamps are not supplied and may be purchased separately.