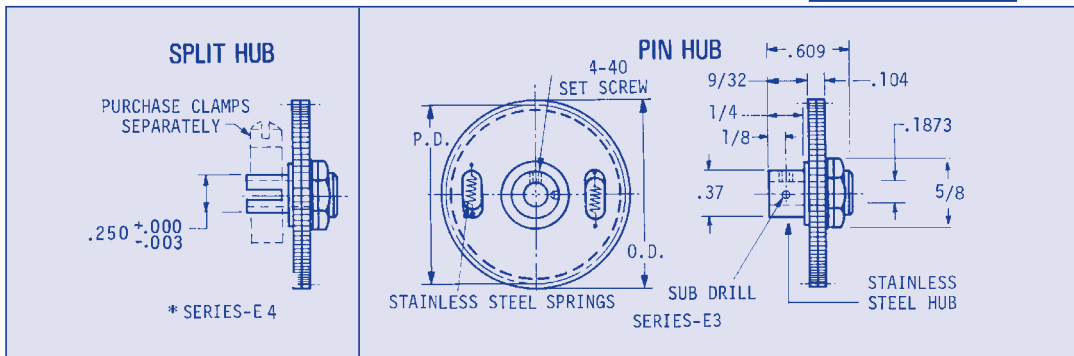


ANTI-BACKLASH GEARS

20° PRESSURE ANGLE QUALITY NO. 10

**48 PITCH
.104 FACE
.1873 BORE**



When ordering Q12 please supply the catalog number and add Q12. **ORDER BY CATALOG NUMBER**

Gear Class	Total Composite Tolerance	Tooth to Tooth Composite Tolerance	Bore	Pitch Dia.	Outside Dia.
Q10	.001	.0004	+.0005	-.001	-.002
Q12	.0005	.0003	+.0003	-.0007	-.0015

# 303 STAINLESS STEEL	2024-T4 ALUMINUM ANODIZED BEFORE CUTTING**	GEAR DATA		
Pin Hub Cat. No.*	Pin Hub Cat. No.*	No. of Teeth	Pitch Diameter	Outside Diameter
LES-E3-65	LEA-E3-65	65	1.3541	1.396
LES-E3-70	LEA-E3-70	70	1.4583	1.500
LES-E3-72	LEA-E3-72	72	1.5000	1.542
LES-E3-75	LEA-E3-75	75	1.5625	1.604
LES-E3-80	LEA-E3-80	80	1.6666	1.708
LES-E3-84	LEA-E3-84	84	1.7500	1.792
LES-E3-85	LEA-E3-85	85	1.7708	1.813
LES-E3-90	LEA-E3-90	90	1.8750	1.917
LES-E3-95	LEA-E3-95	95	1.9791	2.021
LES-E3-96	LEA-E3-96	96	2.0000	2.042
LES-E3-100	LEA-E3-100	100	2.0833	2.125
LES-E3-105	LEA-E3-105	105	2.1875	2.229
LES-E3-110	LEA-E3-110	110	2.2916	2.333
LES-E3-115	LEA-E3-115	115	2.3958	2.438
LES-E3-120	LEA-E3-120	120	2.5000	2.542
LES-E3-125	LEA-E3-125	125	2.6041	2.646
LES-E3-130	LEA-E3-130	130	2.7083	2.750
LES-E3-132	LEA-E3-132	132	2.7500	2.792

*To order split hub please use - E4 in place of - E3 in catalog number.

**Anodizing may be grey color or black at Nordex option.

Clamps are not supplied and may be purchased separately.