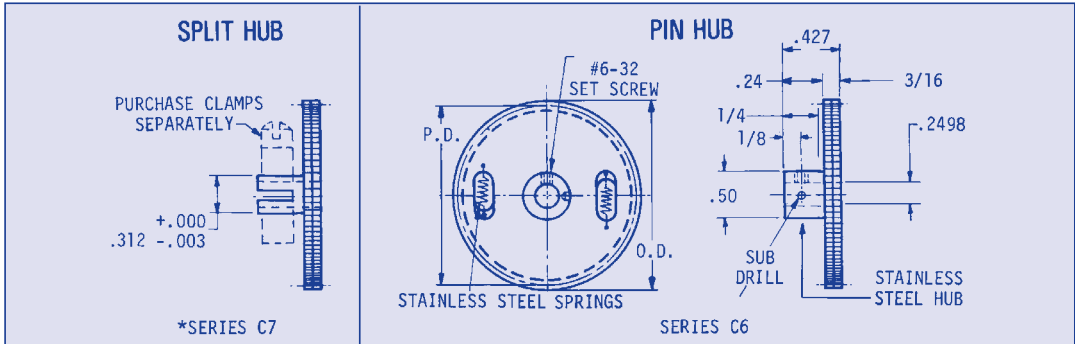


# ANTI-BACKLASH GEARS - COMPACT DESIGN

**24 PITCH**  
**3/16 FACE**  
**1/4 BORE**

20° PRESSURE ANGLE QUALITY NO. 10



When ordering Q12 please supply the catalog number and add Q12. **ORDER BY CATALOG NUMBER**

Gear Class	Total Composite Tolerance	Tooth to Tooth Composite Tolerance	Bore	Pitch Dia.	Outside Dia.
Q10	.001	.0004	+.0005	-.001	-.002
Q12	.0005	.0003	+.0003	-.0007	-.0015

# 303 STAINLESS STEEL	2024-T4 ALUMINUM ANODIZED BEFORE CUTTING**	GEAR DATA		
Pin Hub Cat. No.*	Pin Hub Cat. No.*	No. of Teeth	Pitch Diameter	Outside Diameter
LFS-C6-30	LFA-C6-30	30	1.2500	1.333
LFS-C6-32	LFA-C6-32	32	1.3333	1.412
LFS-C6-35	LFA-C6-35	35	1.4583	1.542
LFS-C6-36	LFA-C6-36	36	1.5000	1.583
LFS-C6-38	LFA-C6-38	38	1.5833	1.667
LFS-C6-40	LFA-C6-40	40	1.6667	1.750
LFS-C6-42	LFA-C6-42	42	1.7500	1.833
LFS-C6-44	LFA-C6-44	44	1.8333	1.917
LFS-C6-45	LFA-C6-45	45	1.8750	1.959
LFS-C6-46	LFA-C6-46	46	1.9167	2.000
LFS-C6-48	LFA-C6-48	48	2.0000	2.083
LFS-C6-50	LFA-C6-50	50	2.0833	2.167
LFS-C6-52	LFA-C6-52	52	2.1667	2.250
LFS-C6-54	LFA-C6-54	54	2.2500	2.333
LFS-C6-55	LFA-C6-55	55	2.2917	2.375
LFS-C6-56	LFA-C6-56	56	2.3333	2.417
LFS-C6-58	LFA-C6-58	58	2.4167	2.500
LFS-C6-60	LFA-C6-60	60	2.5000	2.583
LFS-C6-62	LFA-C6-62	62	2.5833	2.667
LFS-C6-65	LFA-C6-65	65	2.7083	2.792
LFS-C6-66	LFA-C6-66	66	2.7500	2.833
LFS-C6-72	LFA-C6-72	72	3.0000	3.083

Clamps are not supplied and may be purchased separately; special bore sizes available upon request.  
\*To order split hub please use - C7 in place of - C6 in catalog number. \*\*Anodizing may be grey or black at Nordex option.