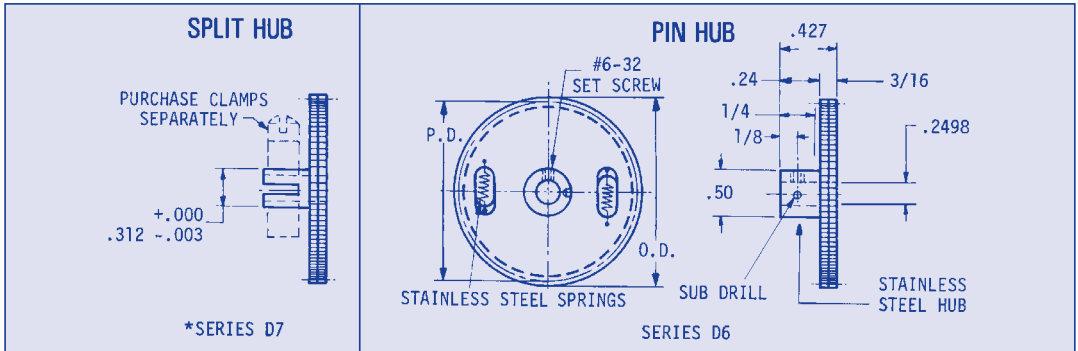


ANTI-BACKLASH GEARS - COMPACT DESIGN

**32 PITCH
3/16 FACE
1/4 BORE**

20° PRESSURE ANGLE QUALITY NO. 10



When ordering Q12 please supply the catalog number and add Q12. **ORDER BY CATALOG NUMBER**

Gear Class	Total Composite Tolerance	Tooth to Tooth Composite Tolerance	Bore	Pitch Dia.	Outside Dia.
Q10	.001	.0004	+.0005	-.001	-.002
Q12	.0005	.0003	+.0003	-.0007	-.0015

# 303 STAINLESS STEEL	2024-T4 ALUMINUM ANODIZED BEFORE CUTTING**	GEAR DATA		
Pin Hub Cat. No.*	Pin Hub Cat. No.*	No. of Teeth	Pitch Diameter	Outside Diameter
LFS-D6-40	LFA-D6-40	40	1.2500	1.313
LFS-D6-42	LFA-D6-42	42	1.3125	1.375
LFS-D6-44	LFA-D6-44	44	1.3750	1.438
LFS-D6-45	LFA-D6-45	45	1.4063	1.469
LFS-D6-46	LFA-D6-46	46	1.4375	1.500
LFS-D6-48	LFA-D6-48	48	1.5000	1.563
LFS-D6-50	LFA-D6-50	50	1.5625	1.625
LFS-D6-52	LFA-D6-52	52	1.6250	1.688
LFS-D6-54	LFA-D6-54	54	1.6875	1.750
LFS-D6-55	LFA-D6-55	55	1.7188	1.781
LFS-D6-56	LFA-D6-56	56	1.7500	1.813
LFS-D6-58	LFA-D6-58	58	1.8125	1.875
LFS-D6-60	LFA-D6-60	60	1.8750	1.938
LFS-D6-62	LFA-D6-62	62	1.9375	2.000
LFS-D6-64	LFA-D6-64	64	2.0000	2.063
LFS-D6-65	LFA-D6-65	65	2.0313	2.094
LFS-D6-70	LFA-D6-70	70	2.1875	2.250
LFS-D6-72	LFA-D6-72	72	2.2500	2.313
LFS-D6-75	LFA-D6-75	75	2.3438	2.406
LFS-D6-80	LFA-D6-80	80	2.5000	2.563
LFS-D6-85	LFA-D6-85	85	2.6563	2.719
LFS-D6-96	LFA-D6-96	96	3.0000	3.073

Clamps are not supplied and may be purchased separately; special bore sizes available upon request.

*To order split hub please use - D7 in place of - D6 in catalog number.

**Anodizing may be grey or black at Nordex option.